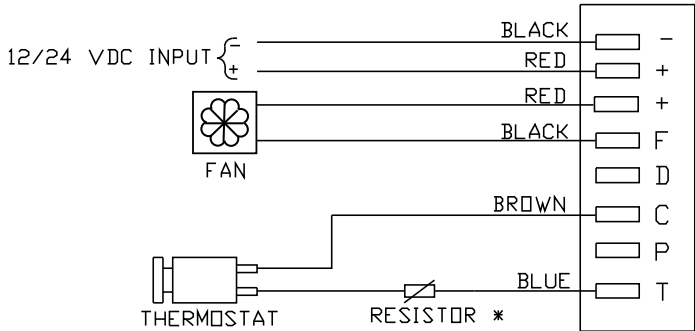


PROPRIETARY NOTE: THE INFORMATION CONTAINED WITHIN THIS DOCUMENT IS THE PROPERTY OF TAYLOR MADE ENVIRONMENTAL, INC. ANY ATTEMPT TO COPY OR DISTRIBUTE WITHOUT WRITTEN CONSENT FROM TAYLOR MADE ENVIRONMENTAL, INC. SHALL BE CONSIDERED UNLAWFUL AND CAN BE CONTESTED IN A COURT OF LAW.

Plotted:  
06 Dec 01 - 08:05 am

DANFOSS  
ELECTRONIC  
MODULE



\* RESISTORS ARE USED TO CONTROL COMPRESSOR SPEED (R.P.M.)  
SOME UNITS DO NOT USE A RESISTOR.

DATE: 7/24/01  
PART NUMBER: T.B.D.  
SCALE: N.T.S.  
DRAWN BY: DRR  
APPROVED BY: DTS

WIRING DIAGRAM  
TUNDRA  
DC ONLY WIRING  
G1010057A

Taylor Made ENVIRONMENTAL™  
Trusair™  
GRUNERT SENTRY LUNDR