

Tundra T18P & T22P Parts List

(Paccar Models U99-6001 & U99-6002)



T18P

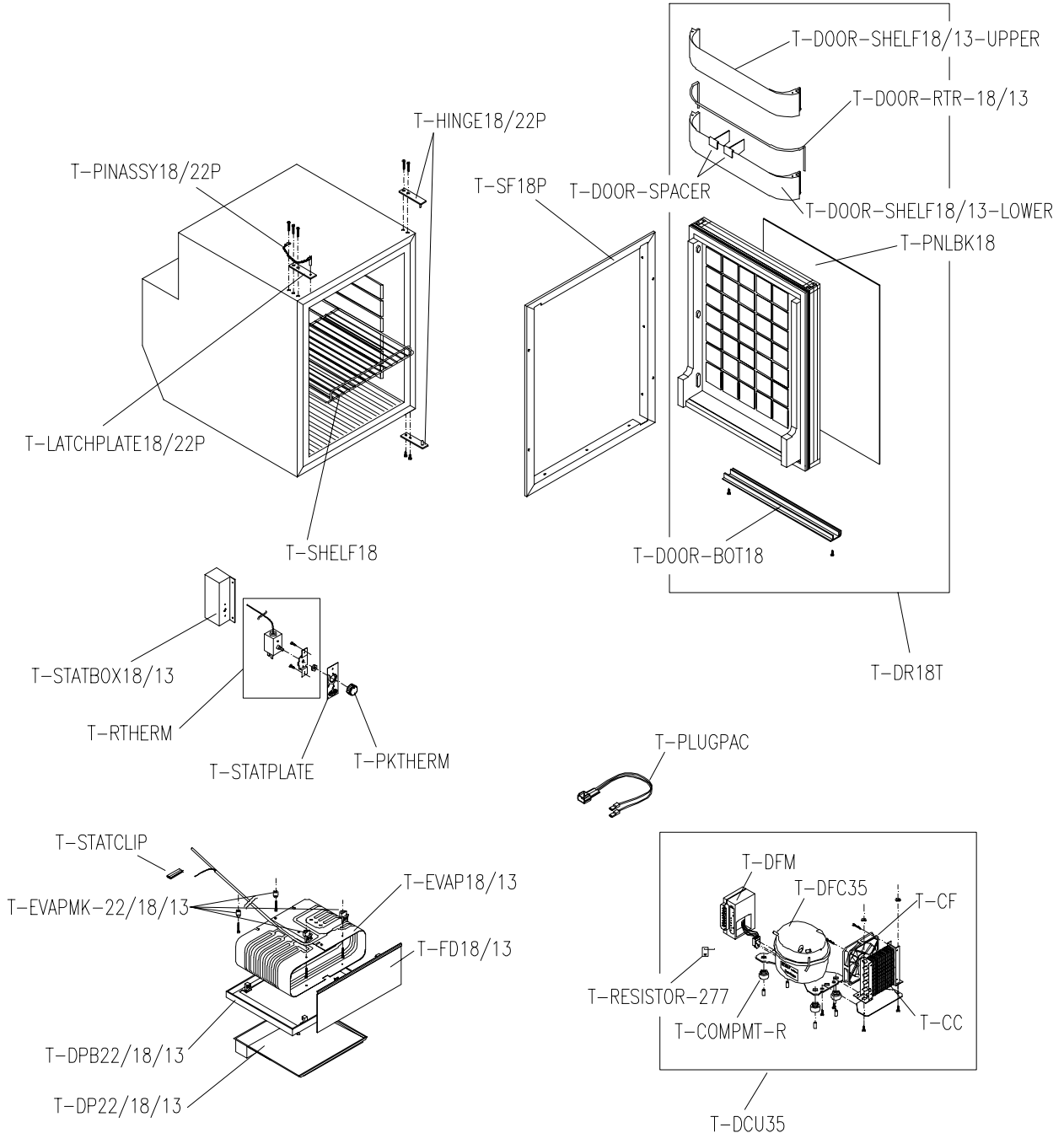


T22P



PROPRIETARY NOTE: THE INFORMATION CONTAINED WITHIN THIS DOCUMENT IS THE PROPERTY OF DOMETIC CORPORATION. ANY ATTEMPT TO COPY OR DISTRIBUTE WITHOUT WRITTEN CONSENT FROM DOMETIC CORPORATION SHALL BE CONSIDERED UNLAWFUL AND CAN BE CONTESTED IN A COURT OF LAW.

REV	DATE	REVISION DESCRIPTION	DWG	APR
A	6/11/02	REVISE PART NUMBERS,CAD370-04	DRR	DTS
B	11/7/02	REVISE PART NUMBER,CAD657-02	DRR	DTS
C	10/20/03	ADD PART NUMBERS,CAD772-03	DRR	DTS
D	6/25/04	REVISE PART CALLOUTS,UPDATE DWG FORMAT,CAD429-04	DRR	DTS



DWG CREATED BY CAD075-02

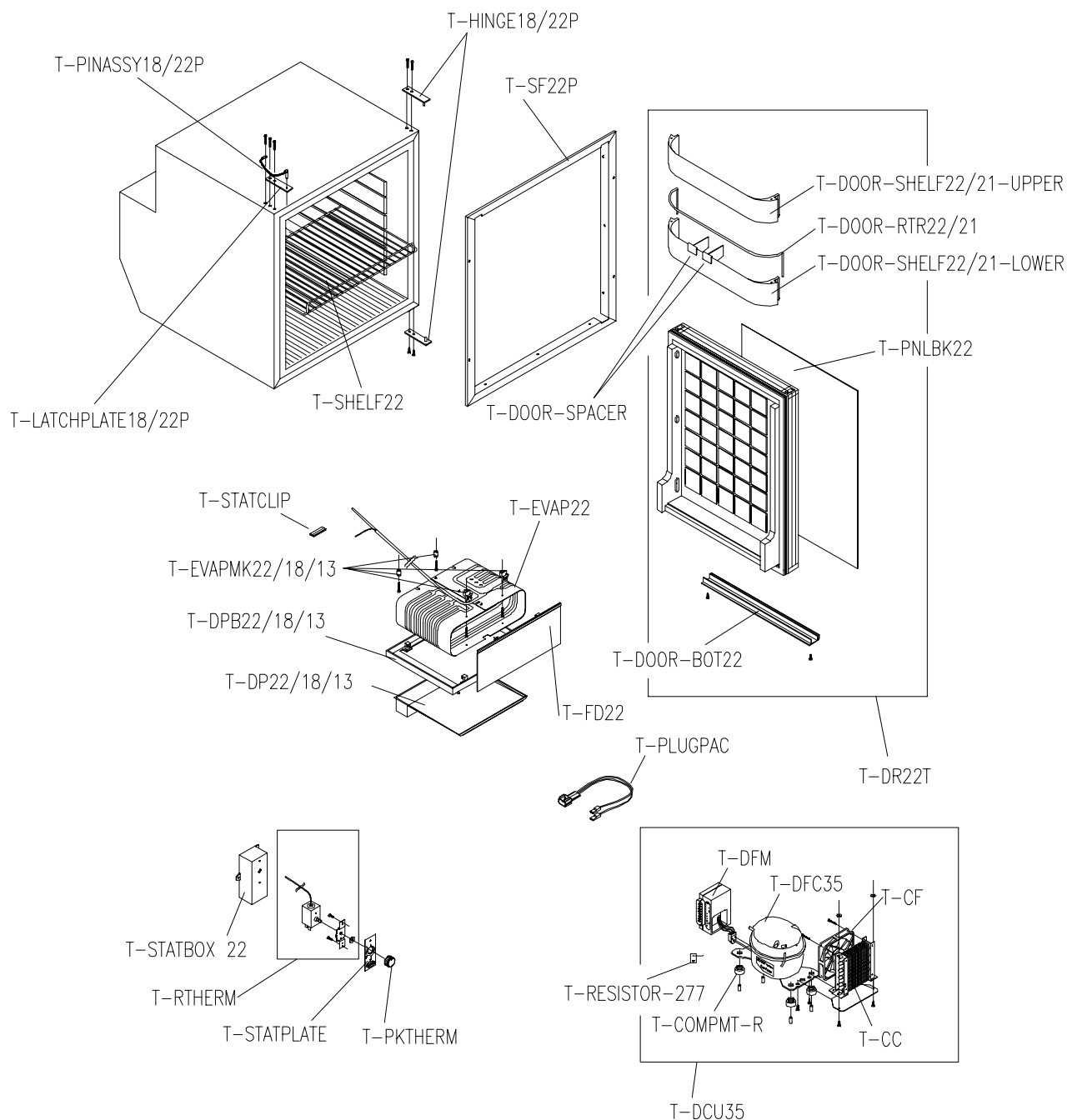
Dometic Corporation		Tundra		
T18P-12vdc (U99-6001)				
PARTS - EXPLODED VIEW				
DATE: 1/24/02	DWG BY: DRR	PART NUMBER: TBD	DWG	REV D
SCALE: NTS	APR BY: DTS		G1030013	

Tundra T18P (PACCAR U99-6001) Parts List

Paccar Part No.	Tundra Part No.	Model No.	Description
U99-6001	753100009	T18P	T18P 1.8 CF DC PAC (U99-6001)
TCC	753500017	T-CC	CONDENSER COIL
TCF	753500019	T-CF	CONDENSER FAN
TCOMPMTR	753500020	T-COMPMT-R	COMPRESSOR MOUNT - RUBBER
TDCU35	753500028	T-DCU35	CONDENSING UNIT - DANFOSS BD35F
TDFC35	753500031	T-DFC35	DANFOSS COMPRESSOR - BD35F
TDFM	753500035	T-DFM	DANFOSS ELECTRONIC MODULE
TD00RB0T18	753500038	T-DOOR-BOT18	BOTTOM DOOR PIECE - T18
TD00RRTR18/13	753500049	T-DOOR-RTR-18/13	DOOR SHELF RETAINER , METAL T18/13
TD00RSHELF18/13LOWER	753500057	T-DOOR-SHELF18/13-LOWER	DOOR SHELF18/13-LOWER
TD00RSHELF18/13UPPER	753500058	T-DOORSHELF18/13-UPPER	DOOR SHELF18/13-UPPER
TD00RSPACER	753500065	T-DOOR-SPACER	DOOR SHELF SPACER
TDP22/18/13	753500073	T-DP22/18/13	DRAIN PAN 22/18/13
TDPB22/13/18	753500081	T-DPB22/13/18	DRAIN PAN BRACKET 22/18/13
TDR18T	753500258	T-DR18T	DOOR ASSEMBLY NO PREDRILLED HOLES
TEVAP18/13	753500096	T-EVAP18/13	EVAPORATOR T18/13S
TEVAPMK22/18/13	753500102	T-EVAPMK-22/18/13	EVAPORATOR MOUNTING KIT 22/18/13
TFD18/13	753500103	T-FD18/13	FREEZER DOOR PLASTIC
TH1NGE18/22P	753500143	T-HINGE18/22P	HINGE18/22P S.S. T18F/T22P
TLATCHPLATE18/22P	753500153	T-LATCHPLATE18/22P	LATCHPLATE T18/22P DR T18F/T22P
TP1NASSY18/22P	753500180	T-PINASSY18/22P	PIN ASSEMBLY18/22P PIN/CHAIN
TPK THERM	753500181	T-PK THERM	THERMOSTAT KNOB PLASTIC
TPLUGPAC	753500183	T-PLUGPAC	PLUG ASSEMBLY PACCAR
TPNLBK18	753500188	T-PNLBK18	DOOR PANEL BLACK
TRES1ST0R277	753500215	T-RESISTOR-277	COMPRESSOR SPEED RESISTOR - 277 OHMS
TR THERM	753500217	T-R THERM	REFRIGERATOR THERMOSTAT
TSF18P	753500223	T-SF18P	SURFACE MOUNT FLANGE T18P
TSHELF18	753500229	T-SHELF18	SHELF T18 WIRE VINYLCOATED
TSTATBOX18/13	753500237	T-STATBOX18/13	PLASTIC THERMOSTAT BOX T18/13
TSTATCL1P	753500239	T-STATCLIP	CAPILLARY TUBE CLIP
TSTATPLATE	753500240	T-STATPLATE	THERMOSTAT PLATE METAL W/LOGO

PROPRIETARY NOTE: THE INFORMATION CONTAINED WITHIN THIS DOCUMENT IS THE PROPERTY OF DOMETIC CORPORATION. ANY ATTEMPT TO COPY OR DISTRIBUTE WITHOUT WRITTEN CONSENT FROM DOMETIC CORPORATION SHALL BE CONSIDERED UNLAWFUL AND CAN BE CONTESTED IN A COURT OF LAW.

REV	DATE	REVISION DESCRIPTION	DWG	APR
A	6/11/02	REVISE PART NUMBERS,CAD369-02	DRR	DTS
B	11/7/02	REVISED PART NUMBER,CAD656-02	DRR	DTS
C	10/20/03	ADDED PART NUMBERS,CAD771-03	DRR	DTS
D	10/22/03	REVISED SHELF CALLOUTS,CAD779-03	DRR	DTS
E	7/13/04	REVISED PART CALLOUTS TO AGREE WITH P/L,CAD467-04	DRR	DTS



Dometic Corporation		Tundra		
T22P-12VDC (U99-6002)				
PARTS - EXPLODED VIEW				
DATE: 1/24/02	DWG BY: DRR	PART NUMBER: TBD	DWG	REV E
SCALE: NTS	APR BY: DTS		G1030012	

DWG CREATED BY CAD074-02

Tundra T22P (PACCAR U99-6002) Parts List

Paccar Part No.	Tundra Part No.	Model No.	Description
U99-6002	753100018	T22P	T22P 2.2 CF DC PAC (U99-6002)
TCC	753500017	T-CC	CONDENSER COIL
TCF	753500019	T-CF	CONDENSER FAN
TCOMPMTR	753500020	T-COMPMT-R	COMPRESSOR MOUNT - RUBBER
TDCU35	753500028	T-DCU35	CONDENSING UNIT - DANFOSS BD35F
TDFC35	753500031	T-DFC35	DANFOSS COMPRESSOR - BD35F
TDFM	753500035	T-DFM	DANFOSS ELECTRONIC MODULE
TD00RB0T22	753500041	T-DOOR-BOT22	BOTTOM DOOR PIECE - T22
TD00RRTR22/21	753500051	T-DOOR-RTR-22/21	DOOR SHELF RETAINER , METAL T22/21
TD00RSHELF22/21LOWER	753500260	T-DOOR-SHELF22/21-LOWER	DOOR-SHELF22/21-LOWER
TD00RSHELF22/21UPPER	753500261	T-DOOR-SHELF22/21-UPPER	DOOR-SHELF22/21-UPPER
TD00RSPACER	753500065	T-DOOR-SPACER	DOOR SHELF SPACER
TDP22/18/13	753500073	T-DP22/18/13	DRAIN PAN 22/18/13
TDPB22/13/18	753500081	T-DPB22/13/18	DRAIN PAN BRACKET 22/18/13
TDR22T	753500259	T-DR22T	DOOR ASSEMBLY NO PREDRILLED HOLES
TEVAP22	753500098	T-EVAP22	EVAPORATOR T22
TEVAPMK22/18/13	753500102	T-EVAPMK-22/18/13	EVAPORATOR MOUNTING KIT 22/18/13
TFD22	753500105	T-FD22	FREEZER DOOR PLASTIC
TH1NGE18/22P	753500143	T-HINGE18/22P	HINGE18/22P S.S. T18F/T22P
TLATCHPLATE18/22P	753500153	T-LATCHPLATE18/22P	LATCHPLATE T18/22P DR T18F/T22P
TP1NASSY18/22P	753500180	T-PINASSY18/22P	PIN ASSEMBLY18/22P PIN/CHAIN
TPK THERM	753500181	T-PK THERM	THERMOSTAT KNOB PLASTIC
TPLUGPAC	753500183	T-PLUGPAC	PLUG ASSEMBLY PACCAR
TPNLBK22	753500192	T-PNLBK22	DOOR PANEL BLACK
TRES1ST0R277	753500215	T-RESISTOR-277	COMPRESSOR SPEED RESISTOR - 277 OHMS
TR THERM	753500217	T-R THERM	REFRIGERATOR THERMOSTAT
TSF22P	753500225	T-SF22P	SURFACE MOUNT FLANGE T22P
TSHELF22	753500231	T-SHELF22	SHELF T22 WIRE VINYLCOATED
TSTATB0X22	753500238	T-STATBOX22	PLASTIC THERMOSTAT BOX T22
TSTATCL1P	753500239	T-STATCLIP	CAPILLARY TUBE CLIP
TSTATPLATE	753500240	T-STATPLATE	THERMOSTAT PLATE METAL W/LOGO

Manufacturer's Limited Warranty Agreement

The following warranty is extended to cover Tundra products supplied by Dometic Corporation, and is subject to qualifications indicated. Dometic Corporation warrants for the periods set forth below that products manufactured or supplied by it will be free from defects in workmanship and material, provided such products are installed, operated, and maintained in accordance with Dometic Corporation written instructions.

All implied warranties, including merchantability and fitness for a particular purpose, are limited to the terms and periods of warranty set forth below and, to the extent permitted by law, any and all implied warranties are excluded.

Note: The warranty described below is for all segments of Paccar, Inc., including all OEM plants, Paccar Parts and the authorized dealer networks for both Peterbilt and Kenworth.

New units are warranted for a period of two (2) years or 200,000 miles, whichever comes first, from the chassis date-in service of new trucks or the date of aftermarket installation, not to exceed three (3) years from the date of manufacture.

Labor will be paid as outlined in the **Schedule of Limited Warranty Allowances** for removal and reinstallation of such components for the warranty period stated above. Warranty will be paid in accordance with the established schedule of allowances contained herein. Compensation for warranty repairs is only made to Paccar, Inc. and its authorized dealers.

Dometic Corporation will repair or replace, at its option, components found to be defective due to faulty materials or workmanship, when such components, examined by an authorized service dealer or a factory service representative, are found to have a defect for which the company is responsible. Replacement components are warranted for the duration of the remaining warranty period in effect on the original component.

The limited warranty is extended in lieu of all other warranties, agreements or obligations, expressed or implied, concerning Tundra's components. This warranty is extended only to the original purchaser and is not transferable. This warranty shall be governed by the laws of the State of Florida and gives the original first end user definite legal rights.

This warranty does not cover damages incidental and/or consequential to the failure of Tundra's (Dometic Corporation) equipment including but not limited to the following: normal wear, accident, misuse, abuse, negligence, improper installation, lack of reasonable and necessary maintenance, alteration, civil disturbance or acts of God.

No person or dealer is authorized to extend any other warranties or to assume any other liabilities on Dometic Corporation's behalf, unless made or assumed in writing by an officer of Dometic Corporation.

Dometic Corporation – Tundra Schedule of Limited Warranty Allowances for Paccar, Inc.

This schedule lists the maximum Dometic Corporation allowance for the repairs listed below. **Items which exceed the scheduled allowances require prior approval.** Sales tax, duty, mileage charges, tolls, phone calls, etc. are not covered by warranty and are the responsibility of the customer. If more than one repair is performed during the same visit, Dometic Corporation will pay 100% of the first covered repairs and 50% for all others. This warranty does not cover incidental and/or consequential items to the failure of Tundra's Refrigeration equipment.

Customer Responsibilities

1. Verify the product's purchase date for warranty purpose.
2. Pay for normal operational maintenance, cleaning or adjustments.
3. Pay for damage repairs resulting from unauthorized modifications, improper electrical supply or damage by fire, storm or other acts of God.
4. Pay for premium labor rates, excessive mileage or miscellaneous tools and material charges not listed, and additional labor charges resulting from the inaccessibility of the unit for service.

Warranty Service Performed	Paccar Labor Allowance
Unit change out	1.5 hours
Thermostat change out	1.0 hours
Electronic Module change out	1.5 hours
Door change out	1.0 hours
Power supply change out	1.0 hours
Resistor (speed setting) change out	0.5 hours
Fan Motor change out	1.5 hours
Pin latch change out	0.5 hours



Dometic Corporation

P.O. Box 15299 • Richmond, VA 23227-0699 USA
804-746-1313 • Facsimile: 804-746-7248 • www.tundra.cc

2000 N. Andrews Ave. Ext. • Pompano Beach, FL 33069-1497 USA
954-973-2477 • Facsimile: 954-979-4414

Fleets Industrial Estate • 26 Willis Way • Poole, Dorset BH15 3SU, England
+44(0)870 3306101 • Facsimile: +44(0)870 3306102

