



When ordering parts, always state:
 MODEL NO. - PRODUCT NO. - QUANTITY -
 PART NUMBER - DESCRIPTION
 For Electric Details also state:
 VOLTAGE - WATTAGE

Tundra Refrigerator Models

USA
 Dometic Corporation
 Environmental Systems
 2000 North Andrews
 Avenue Extension
 Pompano Beach, FL 33069
 954-973-2477

**750000000, 750000001, 750000002,
 750000003, 750000006 & 750000007**

Dometic Corporation
 Environmental Systems
 8433 Erle Road
 Mechanicsville, VA 23116
 804-746-1313

Model Number	Product Number	Type Number	Voltage	Refrig. Frame Color	Door Style	Door/Door Trim Color	Market	Brand
750000000	921041374	T18	12/24 VDC	Black	Standard	Black	USA/Canada	Tundra
750000001	921041375	T18AC	12/24 VDC/120VAC	Black	Standard	Black	USA/Canada	Tundra
750000002	921041376	T18S	12/24 VDC	Black	Standard	Black	USA/Canada	Tundra
750000003	921041377	T18SAC	12/24 VDC/120VAC	Black	Standard	Black	USA/Canada	Tundra
750000006	921041378	T22	12/24 VDC	Black	Standard	Black	USA/Canada	Tundra
750000007	921041379	T22AC	12/24 VDC/120VAC	Black	Standard	Black	USA/Canada	Tundra

PARTS LIST

Type

T18	T18SAC
T18AC	T22
T18S	T22AC

ALPHABETICAL INDEX

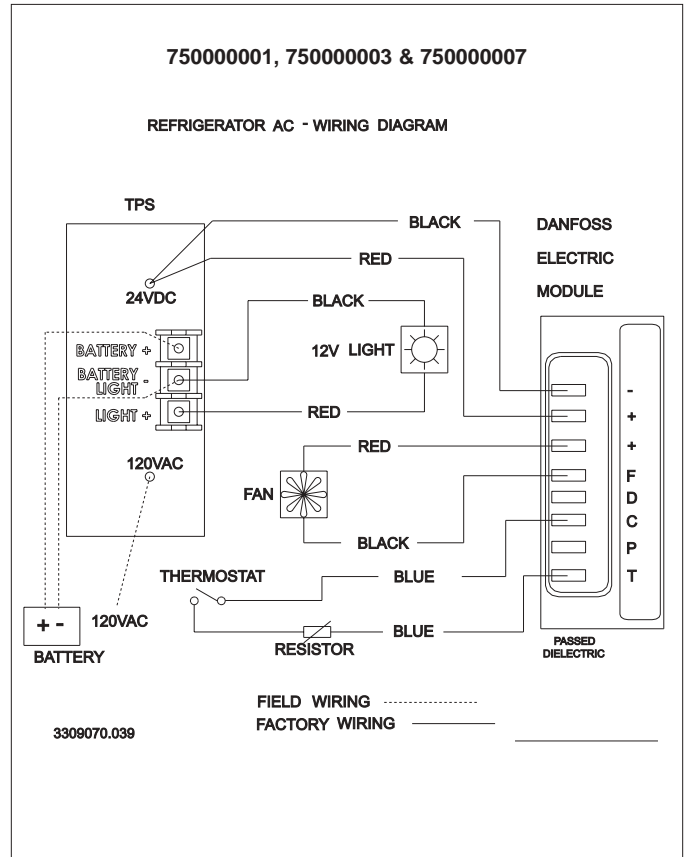
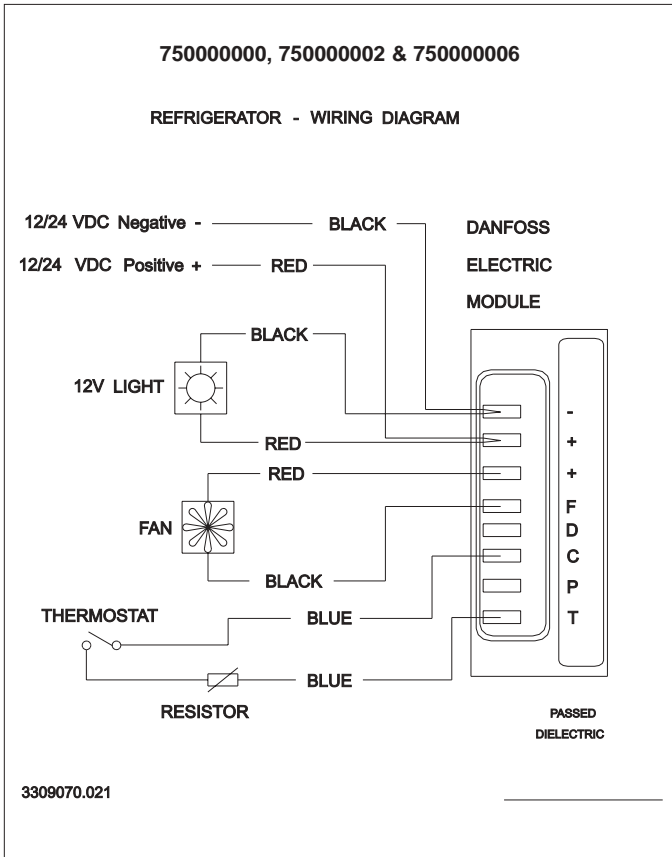
	Page#	Index#
Component Pictorial View	3	6-911
Component Part Number List	4	6-911
Specifications	2	—
Wiring Diagram	2	—

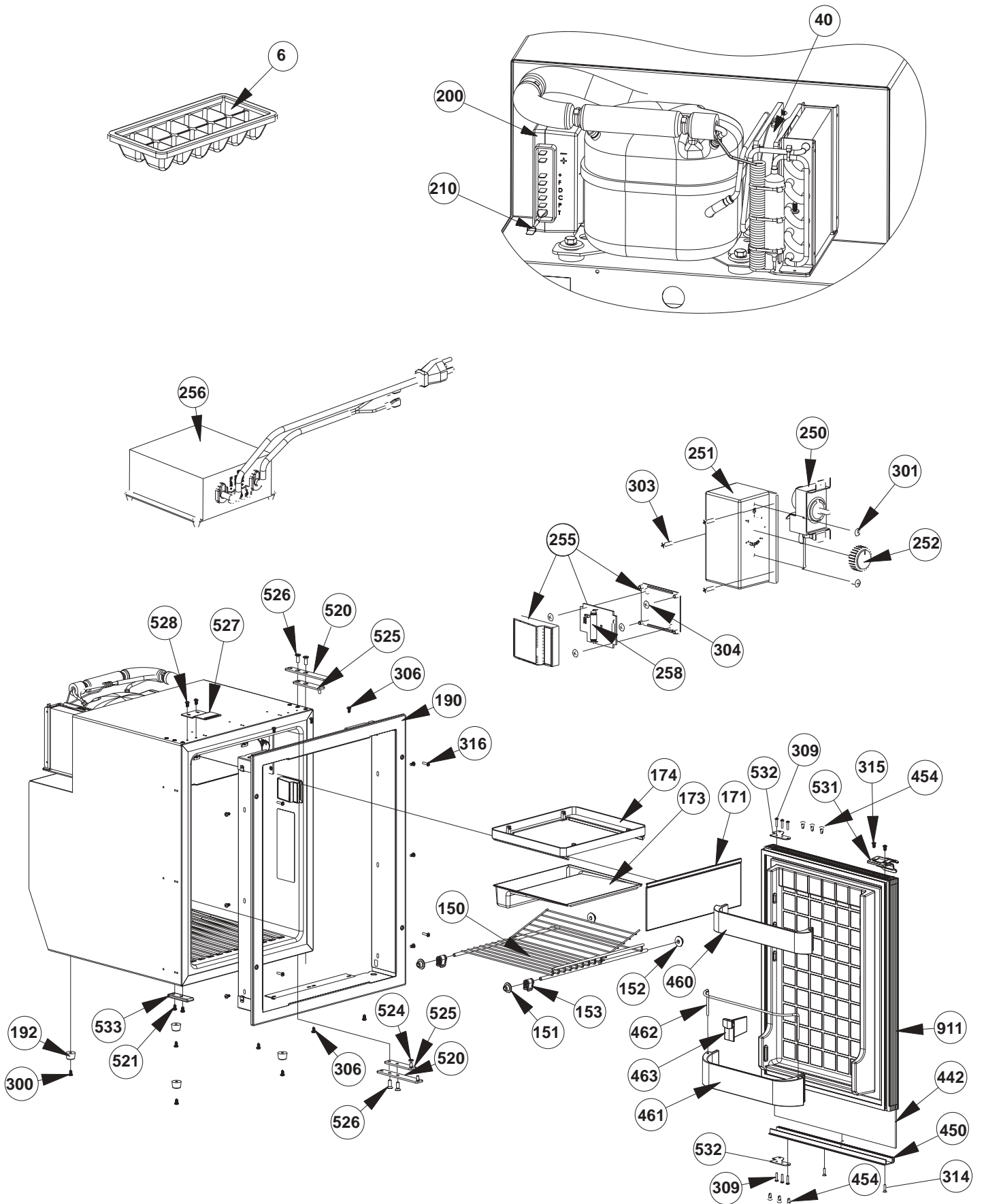
SPECIFICATIONS

Model No.	75000000	75000001	75000002	75000003	75000006	75000007
*Product No.	921041374	921041375	921041376	921041377	921041378	921041379
Energy Source	12/24 VDC	12/24 VDC/120 VAC	12/24 VDC	12/24 VDC/120 VAC	12/24 VDC	12/24 VDC/120 VAC
Refrigerator Rated Load Amps	2.74/1.37	2.74/1.37/1.59	2.74/1.37	2.74/1.37/1.59	2.92/1.37	2.92/1.37/1.59
Refrigerant R134a (ounce)	2.6	2.6	2.6	2.6	2.6	2.6
Installed Weight (Lbs.)	39	39	39	42	42	42
DC/AC Circuit Protection (Installer Supplied)	(DC) 15 Amp Circuit Breaker/(AC) 10 Amp Circuit breaker					
Ice Tray	1					

* Product number located on refrigerator data plate.

WIRING DIAGRAM





Index #	Part Number	750000000	750000001	750000002	750000003	750000006	750000007	Description
		A	B	C	D	E	F	
6	3308910.003	A	B	C	D	E	F	Ice cube tray
40	3308902.000	A	B	C	D	E	F	Ventilator fan
150	3308762.024	A	B	C	D	-	-	Wire shelf assembly
	3308947.021	-	-	-	-	E	F	Wire shelf assembly
151	3308761.000	A	B	C	D	E	F	Plug, through (2 req.)
152	3308760.002	A	B	C	D	E	F	Plug, closed end (2 req.)
153	3308767.007	A	B	C	D	E	F	Clip, retainer (2 req.)
171	3308798.002	A	B	C	D	-	-	Freezer door
	3308802.002	-	-	-	-	E	F	Freezer door
173	3308792.005	A	B	C	D	E	F	Drain pan
174	3308793.003	A	B	C	D	E	F	Drain pan holder
190	3309477.002	A	B	C	D	-	-	Mounting flange
	3309478.000	-	-	-	-	E	F	Mounting flange
192	3308937.006	A	B	C	D	E	F	Refrigerator foot (4 req.)
200	3309095.002	A	B	C	D	E	F	Electric module
210	3308886.005	A	B	C	D	E	F	Resistor assembly
250	3308888.001	A	B	C	D	E	F	Thermostat
251	3308794.001	A	B	C	D	-	-	Thermostat holder
	3308794.019	-	-	-	-	E	F	Thermostat holder
252	3308889.009	A	B	C	D	E	F	Thermostat knob
255	3308918.006	A	B	C	D	E	F	Light assembly
256	3309723.009	-	B	-	D	-	F	Power Supply
258	753500167	A	B	C	D	E	F	T-Light bulb, 12 VDC (3 watt)
300	3308964.010	A	B	C	D	E	F	Screw for foot (4 req.)
301	317224.003	A	B	C	D	E	F	Screw, T #6-32 x .38" PHCR Serr. (2 req.)
303	3308964.018	A	B	C	D	E	F	Screw, S #6-20 x .50" FHCR (3 req.)
304	3308963.002	A	B	C	D	E	F	Screw, S #4-24 x .50" PHCR (4 req.)
306	3308963.028	A	B	C	D	E	F	Screw, S #8-18 x .50" PHCR (12 req.)
309	3308963.036	A	B	-	-	E	F	Screw, S #6-20 x .62 PHCR (6 req.)
314	3308964.034	A	B	C	D	E	F	Screw, S #4-24 x .63" FHCR (3 req.)
315	3308963.028	A	B	C	D	E	F	Screw, S #8-18 x .50" PHCR (2 req.)
316	3308964.026	A	B	C	D	E	F	Screw, S #7-19 x 1.00" FHCR (4 req.)
442	3308879.000	A	B	C	D	-	-	Door panel
	3308879.018	-	-	-	-	E	F	Door panel
450	3308808.017	A	B	C	D	-	-	Bottom door trim
	3308808.033	-	-	-	-	E	F	Bottom door trim
454	3309101.008	-	-	C	D	-	-	Plug (6 req.)
460	3308745.003	A	B	C	D	-	-	Top door shelf
461	3308790.009	A	B	C	D	-	-	Bottom door shelf
	3308800.014	-	-	-	-	E	F	Bottom door shelf (2 req.)
462	3308801.004	A	B	C	D	-	-	Retainer wire
	3308801.012	-	-	-	-	E	F	Retainer wire
463	3308791.007	A	B	C	D	E	F	Shelf clip (2 req.)
520	3308817.018	A	B	-	-	E	F	Bar, latch (2 req.)
521	3308965.015	A	B	C	D	E	F	Screw, M4 x 14mm PH machine (2 req.)
524	3308962.004	A	B	C	D	E	F	Nylon washer
525	3308797.004	-	-	C	D	-	-	Hinge assembly
526	3308966.005	A	B	-	-	E	F	Screw, M4 x 17mm FHSCS (4 req.)
	3308966.005	-	-	C	D	-	-	Screw, M4 x 17mm FHSCS (6 req.)
527	3308917.008	-	-	C	D	-	-	Latch, handle
528	3308963.028	-	-	C	D	-	-	Screw, S #8-18 x .50" PHCR
531	3308890.007	A	B	C	D	E	F	Door handle
532	3308818.008	A	B	-	-	E	F	Hinge (2 req.)
533	3308814.007	A	B	C	D	E	F	Door guide
911	3309472.003	A	B	C	D	-	-	Door only
	3309473.001	-	-	-	-	E	F	Door only