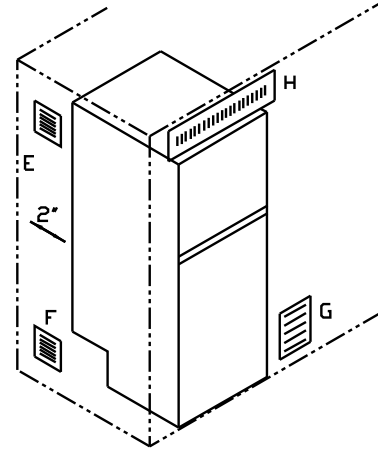
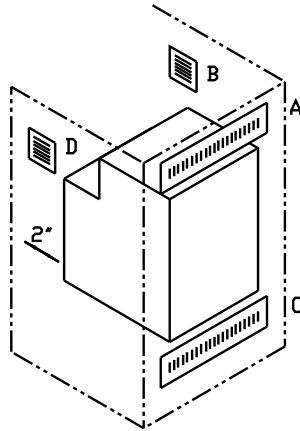
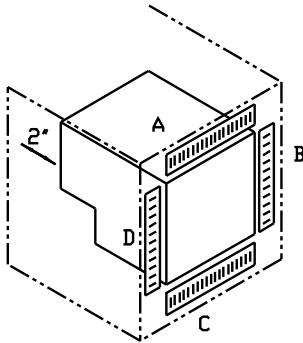


PROPRIETARY NOTE: THE INFORMATION CONTAINED WITHIN THIS DOCUMENT IS THE PROPERTY OF TAYLOR MADE ENVIRONMENTAL, INC. ANY ATTEMPT TO COPY OR DISTRIBUTE WITHOUT WRITTEN CONSENT FROM TAYLOR MADE ENVIRONMENTAL, INC. SHALL BE CONSIDERED UNLAWFUL AND CAN BE CONTESTED IN A COURT OF LAW.



EXAMPLES:

ALL UNITS EXCEPT T80

- A AND C - PAIR OF GRILLS = 50 SQ. IN. MINIMUM
- B AND D - PAIR OF GRILLS = 50 SQ. IN. MINIMUM
- A OR B - SINGLE GRILL = 50 SQ. IN. MINIMUM

EXAMPLES:

T80

- E AND F - PAIR OF GRILLS = 75 SQ. IN. MINIMUM
- G OR H - SINGLE GRILL = 75 SQ. IN. MINIMUM

NOTE: UNITS WITH REMOTE MOUNTED CONDENSING ASSEMBLIES REQUIRE THE SAME MINIMUM VENTILATION.

DRAWING NO:
G1030011

REV:

| | | | | |
|---------------------|--|-------------------------|------------|------------|
| DATE: 11/7/01 | VENTILATION REQUIREMENTS TUNDRA | | REV: -- | SIZE: A |
| SCALE: N.T.S. | | | | |
| PART NUMBER: TBD | | | | |
| DRAWN BY: DRR | APPROVED BY: DTS | DRAWING NO: G1030011 | | |



Taylor Made
ENVIRONMENTAL™

